

MODEL 8101CPU-3

8000 SERIES™ COMMUNICATIONS PROCESSOR

The 8101CPU-3 is a Communications Processor which is the equivalent of having a PC residing within the 8001MF Mainframe. It has interfacing for VGA, keyboard, Ethernet, and RS232. These connections are made on the front of the assembly or on the rear of the mainframe. The 8101CPU-2 obtains its 5 VDC operating voltage from the 8101CPU1 which converts the +15 V to +5 V.

The 8101CPU-2 includes a disk-on-chip to store permanent and temporary data, as well as an on-board CODEC, enabling it to perform Digital Record/Playback operations.

The 8101CPU-2 interfaces with the 8101CPU1 card via plug-in connectors. These connectors are for the audio in/out of the Digital Record/Playback (DRP) function, for the Com 2 through Com 4 and Serial ports, and for Reset and 5 V Status.

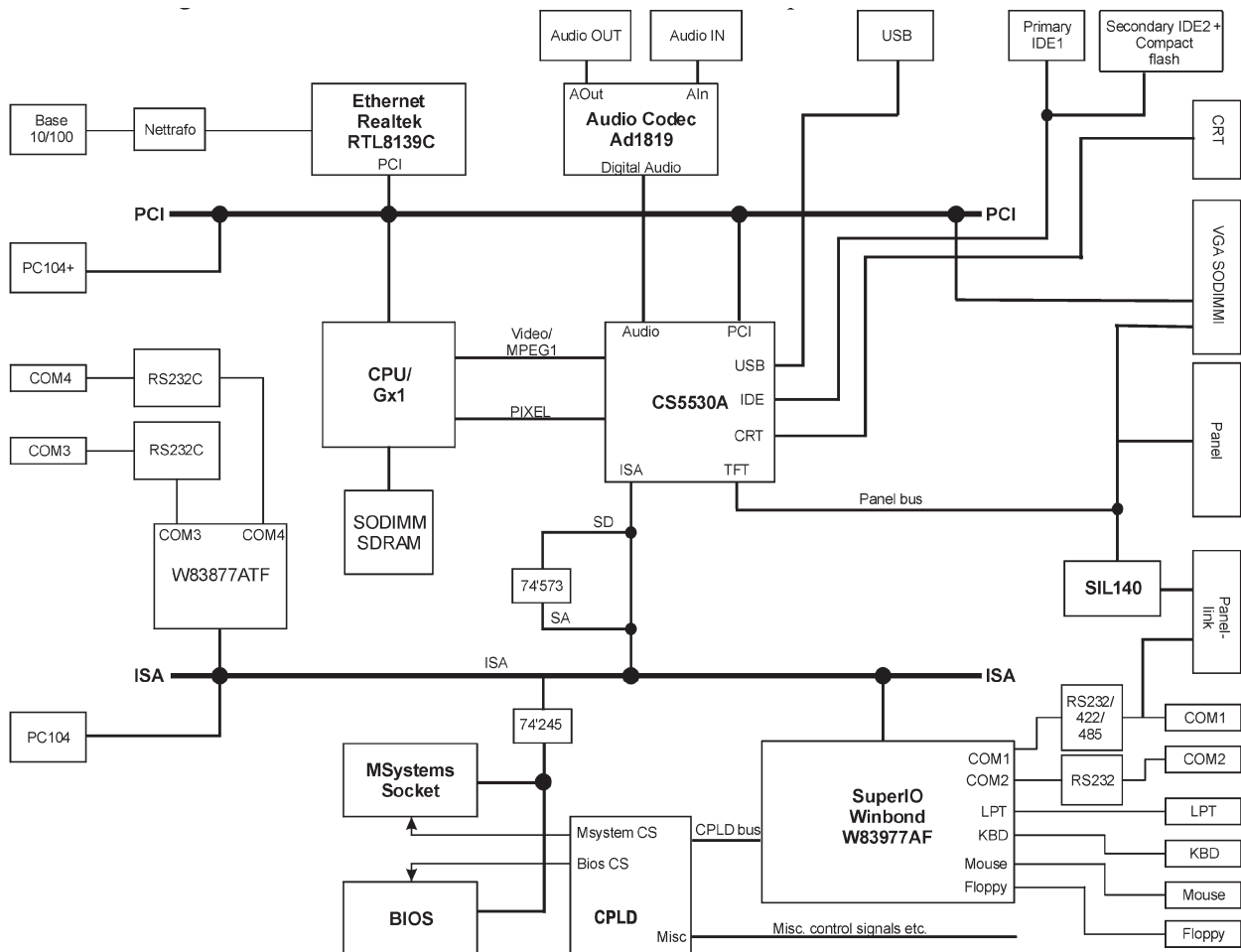


Figure 1 - 8101CPU-2 Block Diagram



SPECIFICATIONS

ELECTRICAL

- | | |
|--|--|
| 1. Processor | Geode™ GX1 |
| Frequency = 300 MHz | |
| 2. Chipset. | CS5530A |
| 3. BIOS. | Phoenix™ |
| With Inside Technology Utility Extension and Secure CMOS function | |
| 4. Bus | ISA, PC/104, PC/104+ |
| 5. SDRAM. | 128 MB, Max |
| One 144-pin SO-DIMM socket | |
| 6. Graphics | Geode™ 5530A |
| Shared video memory up to 4 MB | |
| INSIDE Display Selection Menu | |
| 7. Resolution | |
| CRT | 1280 x 1024, max |
| TFT | 1024 x 768, max |
| 8. Displays | TFT and CRT |
| 9. HDD Controller | Ultra DMA 33 IDE |
| 10. FDD Controller | 2 x 3.5", 1.44 MB or 2.88 MB |
| 11. Parallel Port | Bi-directional Centronics |
| ECP or EPP mode | |
| 12. Serial Port. | 4 x RS-232C or 1 x RS-485/482 and 3 x RS-232C, |
| NS 16550 serial port with 16 byte FIFO buffer | |
| 13. Ethernet | 10/100Base-T Fast Ethernet |
| Realtek 8139C | |
| 14. Flash Disk CompactFlash™ Disk Socket Type I + II and M-Systems DiskOnChip® | |
| 15. Monitoring | Processor Temperature and Fan Supervision |
| 16. Keyboard/Mouse | One standard PS/2 mini DIN connector and two pin headers |
| 17. Sound | AC97 on-board CODEC |
| 18. Battery. | On-board Lithium with connector for external battery |
| 19. Power Supply. | +5 V, only |
| 20. EMI/ESD. | In accordance with 550022 and EN55082 |
| 21. Operating Temperature Range | (+32 °F - +140 °F) 0 °C - +60 °C |
| 22. Dimensions | Half-Size - (185 mm x 122 mm) 7.3" x 4.8" |

Innovative Electronic Designs, Inc. • 9701 Taylorsville Road • Louisville, Kentucky 40299 • USA
Phone: (502) 267-7436 • Fax: (502) 267-9070 • Internet: <http://www.iedaudio.com>