

**MODEL 6208L**

**8 OHM, 200 WATT POWER AMPLIFIER CARDS**

**LED INDICATORS AND ATTENUATOR DIP SWITCH LOCATIONS**

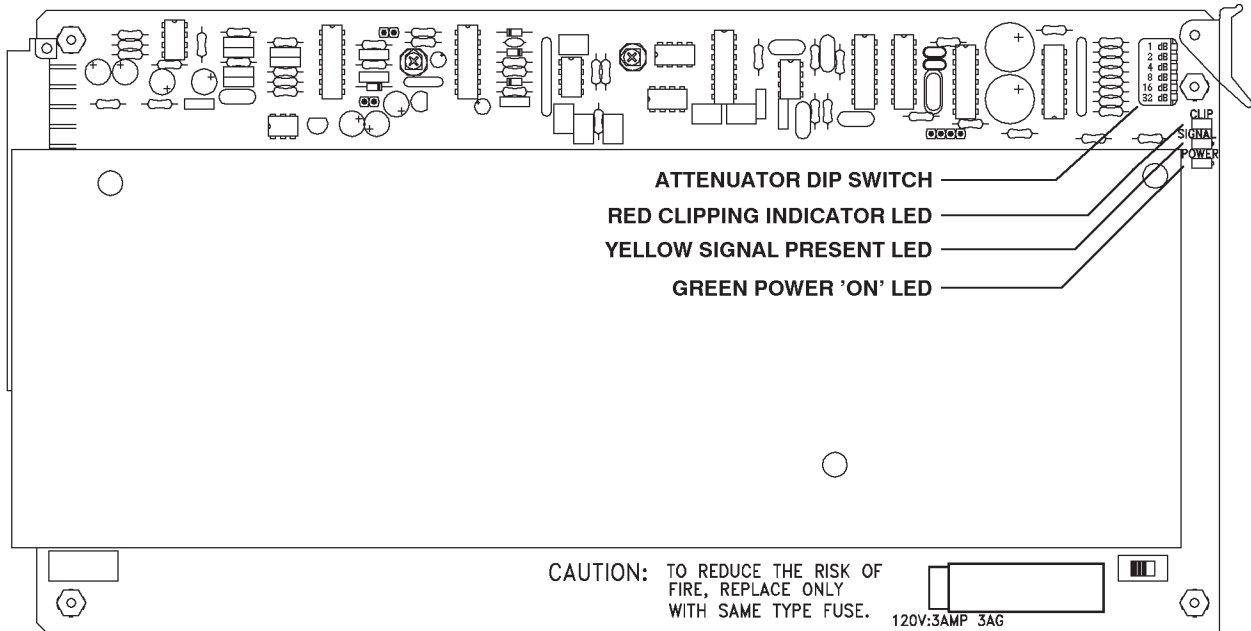


Figure 1 - Location LED Indicators and the attenuation DIP switch

There are three LED indicators which are located on the upper portion of the front edge of the amplifier cards. They are visible from the front of the mainframe during normal operation. Refer to Figure 3 above for locations. The red Clipping Indicator is uppermost. The middle LED is the yellow Signal Present indicator. The bottom LED is the green Power 'On' indicator.

Also shown in Figure 1 is the location of the attenuator DIP switch. Its operation is described on page 2.

## SETTING ATTENUATION

TOTAL ATTENUATION (dB)	SWITCH NUMBER					
	6	5	4	3	2	1
	dB STEPS					
	1	2	4	8	16	32
0						
1						
2						
3						
4						
5						
6						
7						
8						
9						
10						
11						
12						
12						
14						
15						
16						
17						
18						
19						
20						
21						
22						
23						
24						
25						
26						
27						
28						
29						
30						
31						
32						
33						
34						
35						
36						
37						
38						
39						
40						
41						
42						
43						
44						
45						
47						
47						
49						
50						
51						
52						
53						
54						
55						
56						
57						
58						
59						
60						
61						
61						
62						
63						

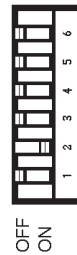


Figure 2 - At the left is the DIP switch which is used to set the attenuation of the power amplifier cards.

At the far left is a table which shows the switch settings used to obtain any attenuation between 0 and 63 dB. A shaded box indicates that the switch is 'On'. The six section DIP switch is shown in Figure 2 above. To turn a switch section 'On', move its lever to the right (toward the printed circuit board).

Set the attenuation to a nominal value using the DIP switch. The attenuation is set to 0 dB (full output) at the factory. A starting setting of 8 dB is suggested.

See Figure 1 on page 1 for the location of the Attenuator DIP Switch.

= Switch 'On'       = Switch 'Off'

*Innovative Electronic Designs, Inc. • 9701 Taylorsville Road • Louisville, Kentucky 40299 • USA*  
*Phone: (502) 267-7436 • Fax: (502) 267-9070 • Internet: <http://www.iedaudio.com>*

## FUSE REPLACEMENT

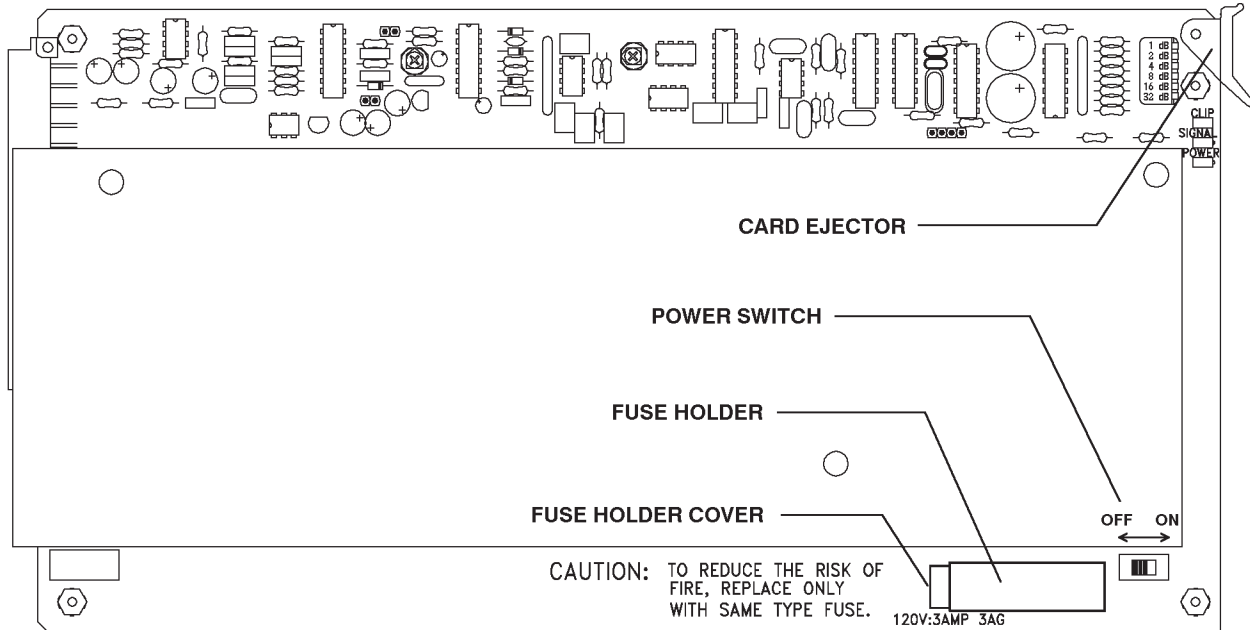


Figure 3 - Location of Fuse

- » **CAUTION:** These servicing instructions are for use by qualified personnel only. To avoid electric shock do not perform any servicing other than that contained in the operating instructions unless you are qualified to do so. Refer all servicing to qualified service personnel.
- » **CAUTION:** To reduce the risk of electric shock, do not remove the top panel. There are no user serviceable parts inside. Refer servicing to qualified personnel.

Before attempting to replace the fuse, turn off the power switch, unseat the amplifier card from its euro connector by raising the lower edge of the card ejector, and remove the amplifier card from the mainframe.

Using a small straight blade screwdriver, remove the fuse holder cover by turning it  $\frac{1}{4}$  turn counterclockwise. The fuse is retained in the cover. Slide the fuse out of the cover and **replace it with a fuse of the same type and rating, only!**

- » **CAUTION** to reduce the risk of fire, replace only with a fuse of the same type and rating!

Replace the cover by pushing it in until it engages, then turning it  $\frac{1}{4}$  turn clockwise.

Replace the amplifier card in the mainframe by sliding into the card guides. Seat it in the euro connector by pressing firmly with both thumbs, one at the upper edge and one at the lower edge.

The power switch may now be turned 'On'.



## FAN OPERATION

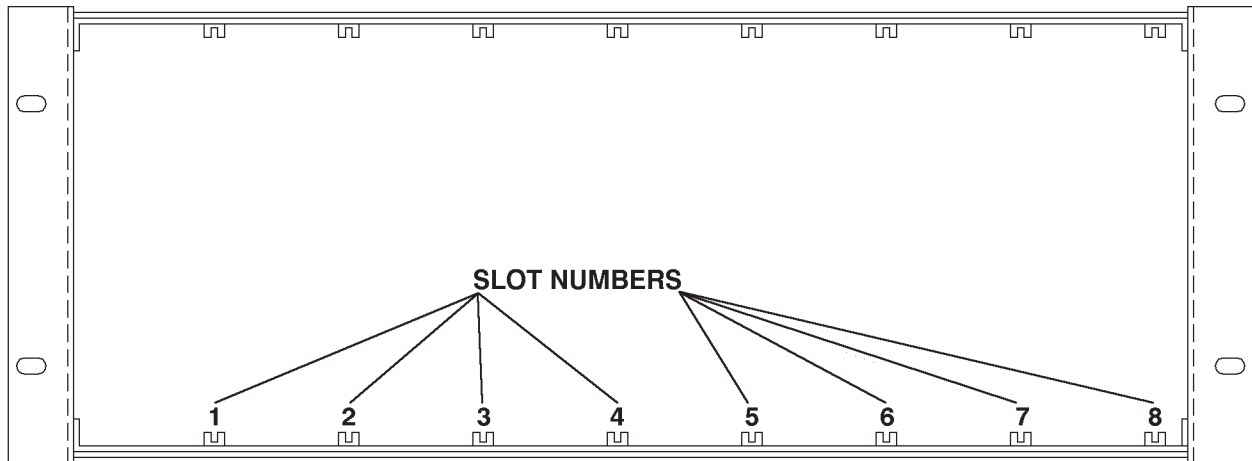


Figure 4 - Card slot numbering  
Front view

The 6800L Mainframe has four cooling fans, one for each pair of adjacent card slots. The fan for a given pair of slots is activated by the odd numbered slot of the pair. Referring to Figure 4 above, the card slots are numbered from left to right in ascending order, starting with the first slot on the left.

» **Violation of the following rules can result in failure of the amplifier cards and will void the warranty:**

The fan for slots 1 and 2 is activated by the amplifier card in slot 1. Do not operate an amplifier card in slot 2 unless there is an operating amplifier card in slot 1 which is turned 'On'.

The fan for slots 3 and 4 is activated by the amplifier card in slot 3. Do not operate an amplifier card in slot 4 unless there is an operating amplifier card in slot 3 which is turned 'On'.

The fan for slots 5 and 6 is activated by the amplifier card in slot 5. Do not operate an amplifier card in slot 6 unless there is an operating amplifier card in slot 5 which is turned 'On'.

The fan for slots 7 and 8 is activated by the amplifier card in slot 7. Do not operate an amplifier card in slot 8 unless there is an operating amplifier card in slot 7 which is turned 'On'.

*Innovative Electronic Designs, Inc. • 9701 Taylorsville Road • Louisville, Kentucky 40299 • USA  
Phone: (502) 267-7436 • Fax: (502) 267-9070 • Internet: <http://www.iedaudio.com>*

**FACTORY SERVICE CONNECTIONS AND CONTROLS**

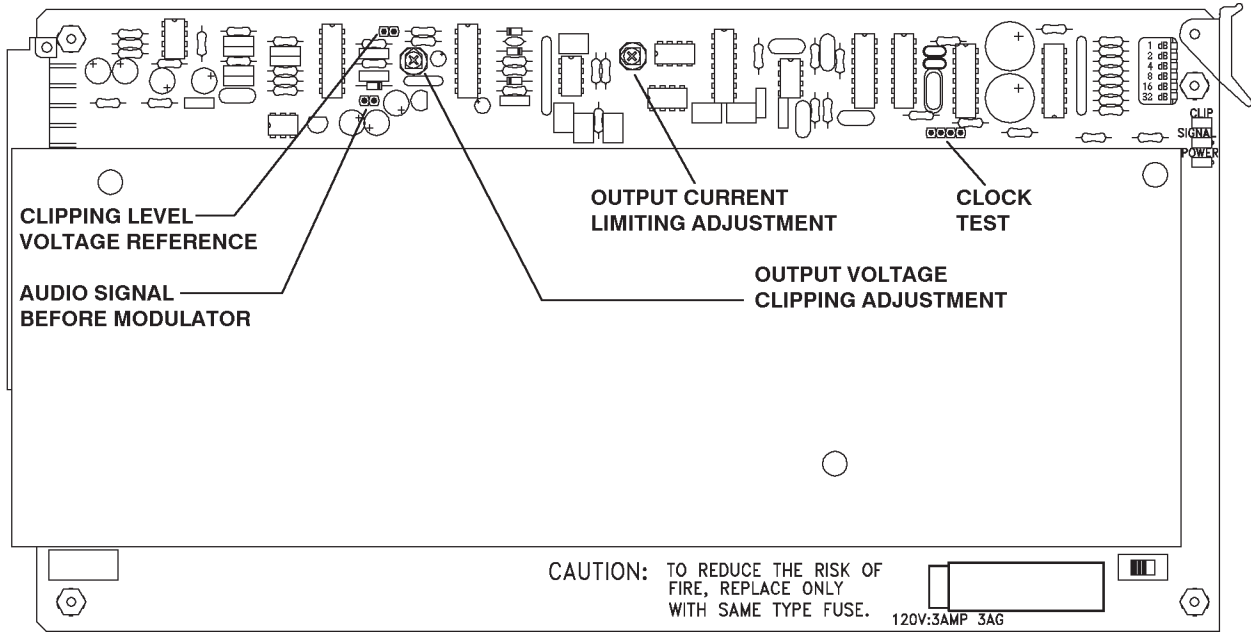


Figure 5 - Location of factory service connectors and controls

» The above connectors and controls are for factory setup and service only. Field use may result in degraded performance or damage, and will void the warranty.



This page left blank intentionally

*Innovative Electronic Designs, Inc. • 9701 Taylorsville Road • Louisville, Kentucky 40299 • USA  
Phone: (502) 267-7436 • Fax: (502) 267-9070 • Internet: <http://www.iedaudio.com>*