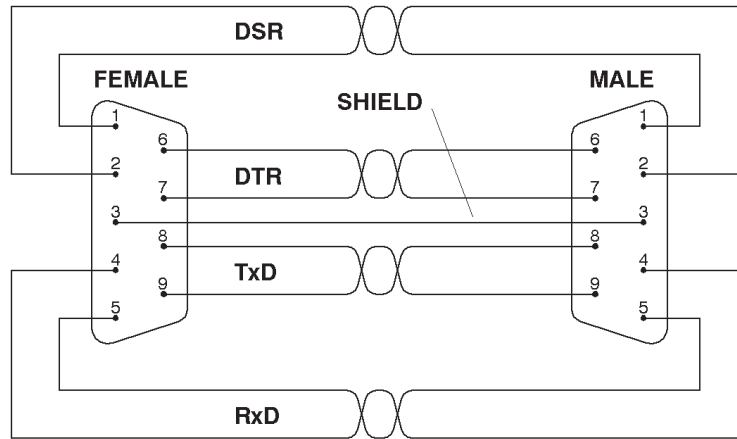


PA422 CABLE CONNECTIONS



CONNECTORS SHOWN FROM SOLDER SIDE

	Pin No.	Polarity	Function	Belden 9681 Color	Belden 9504 Color
Twisted pair	1	+	DSR	White body Blue stripe	Red
	2	-		Blue body White stripe	Black
	3			Shield	Shield
Twisted pair	4	+	RxD	White body Orange stripe	White
	5	-		Orange body white stripe	Black
Twisted pair	6	+	DTR	White body Green stripe	Green
	7	-		Green body White stripe	Black
Twisted pair	8	+	TxD	White body Brown stripe	Blue
	9	-		Brown body White stripe	Black

NOTES

1. Because of its high capacitance, Belden 9504 may be used only for runs of less than 1000 feet.
2. Twisted pairs must be kept together. Since one wire of each pair is black, great care must be exercised to be sure that the same, correct black wire is used with the colored wire at both ends.



This page left blank intentionally

*Innovative Electronic Designs, Inc. • 9701 Taylorsville Road • Louisville, Kentucky 40299 • USA
Phone: (502) 267-7436 • Fax: (502) 267-9070 • Internet: <http://www.iedaudio.com>*