

IED MODEL 540M

AMBIENT ANALYSIS SYSTEM MAINFRAME

The IED Model 540 Ambient Analysis System is a subsystem of the 500 Series Audio Control System. The Model 540 controls sound system channel levels in response to ambient or background noise levels.

The Model 540M Mainframe houses and interconnects the 540PS Power Supply, the 540CPU Central Processor Card, and the 540I/540AC/540IAC Attenuator Card(s). The 540M has 13 card slots. Refer to Figure 2 for identification of the slots. Slots 1 through 11 can be used for 540I/540AC/540IAC Attenuator Cards, as needed for the application, providing up to 44 channels of audio. For larger systems, up to 7 racks can be linked, providing up to 308 channels.

Figure 1 is a block diagram which illustrates system signal flow and control.

All connectors are located on the rear panel of the 540M Mainframe. The audio in and out and the remote sensor connectors are compression-type. There is a connector for the AC power cord and a 9-pin sub D connector for the PA422 link to the Model 590 Computer used for initial setup.

The hinged front door panel is constructed of translucent smoke colored plexiglass, allowing the power supply indicator LEDs to be visible with the door closed.

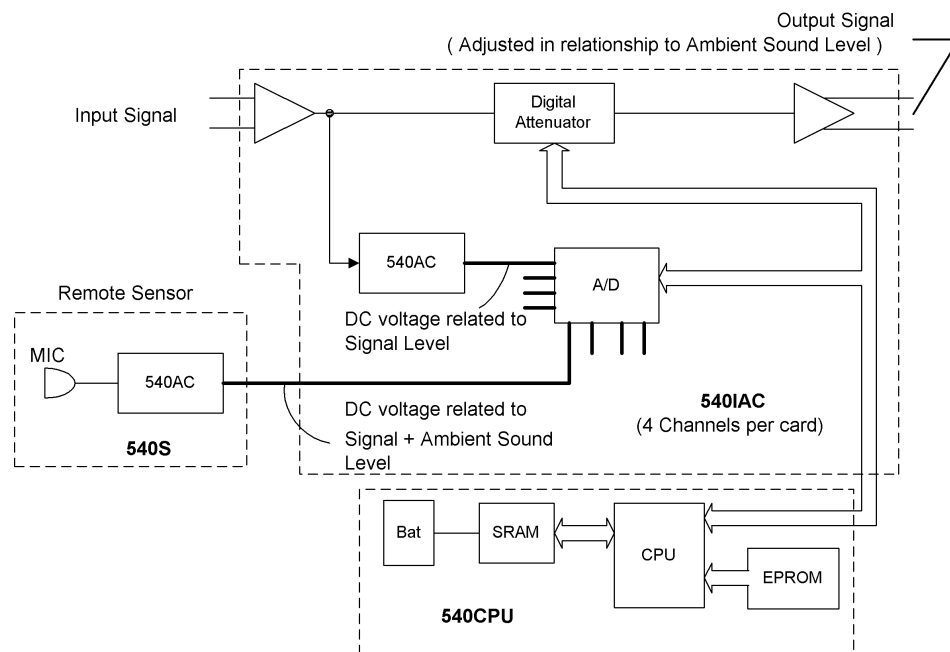


Figure 1 - 540 Block Diagram



SPECIFICATIONS

POWER REQUIREMENTS

- | | |
|---------------------------------|---------------|
| 1. Line Voltage | 110 - 130 VAC |
| 2. Power | 12 W |
| 540M with 540PS and 540CPU only | |

CONNECTORS

- | | |
|---------------------------------------|--|
| 1. Audio inputs and outputs | Lugless compression-type screw terminals |
| 2. Remote Sensor inputs | Lugless compression-type screw terminals |
| 3. AC power | Panel Components 8843.ZP.30.60 |
| 4. Power cord | Belden 17250 |
| (Or equivalent) | |

MECHANICAL

- | | |
|--------------------------------------|----------|
| 1. Size (maximum overall dimensions) | |
| Height | 5.25" |
| (3 EIA rack spaces) | |
| Width | 19.0" |
| Depth | 15.25" |
| 2. Weight | 7.3 lbs. |
| 3. Number of card slots | 13 |
| For power supply card | 1 |
| For CPU card | 1 |
| For attenuator cards | 11 |

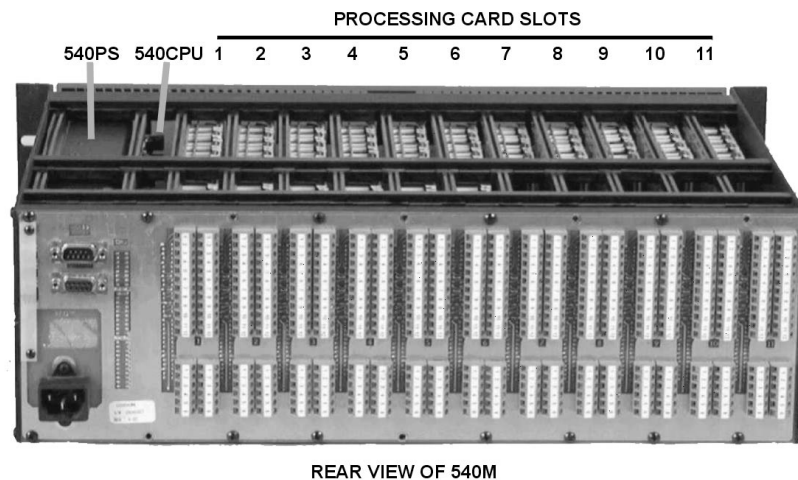


Figure 2 - Rear view of 540M Mainframe showing card slot identification

*Innovative Electronic Designs, Inc. • 9701 Taylorsville Road • Louisville, Kentucky 40299 • USA
 Phone: (502) 267-7436 • Fax: (502) 267-9070 • Internet: <http://www.iedaudio.com>*