

**MODEL 2008DA**

**8-CHANNEL DIGITAL TO AUDIO CARD**

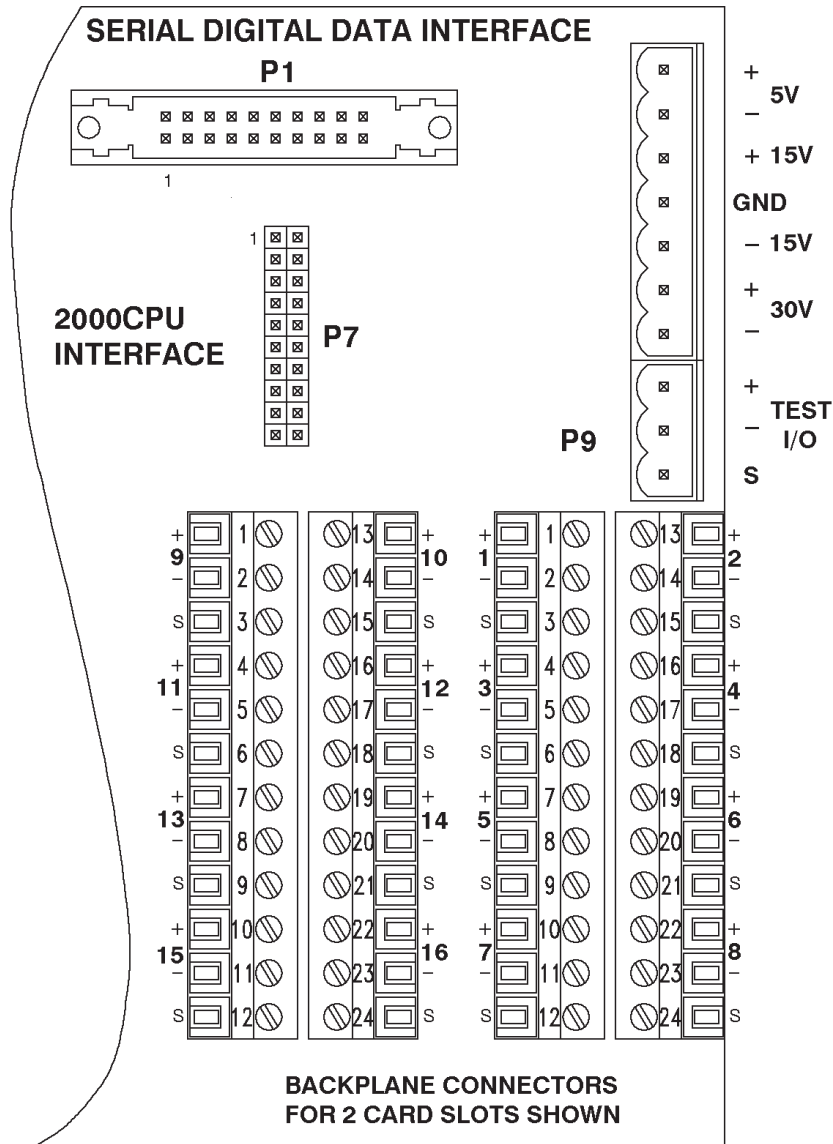


Figure 1 - 2008DA Digital to Audio Card  
 2012 Rear Panel Connections

**NOTES:**

1. Use card slots for 2008DA cards.
2. Connect Serial Digital Data Interface to 2032PS on 2022 Mainframe.
3. Connect 2000CPU Interface to 2000CPU on 2022 Mainframe.
4. Cards are dedicated to outputs in groups of 2.



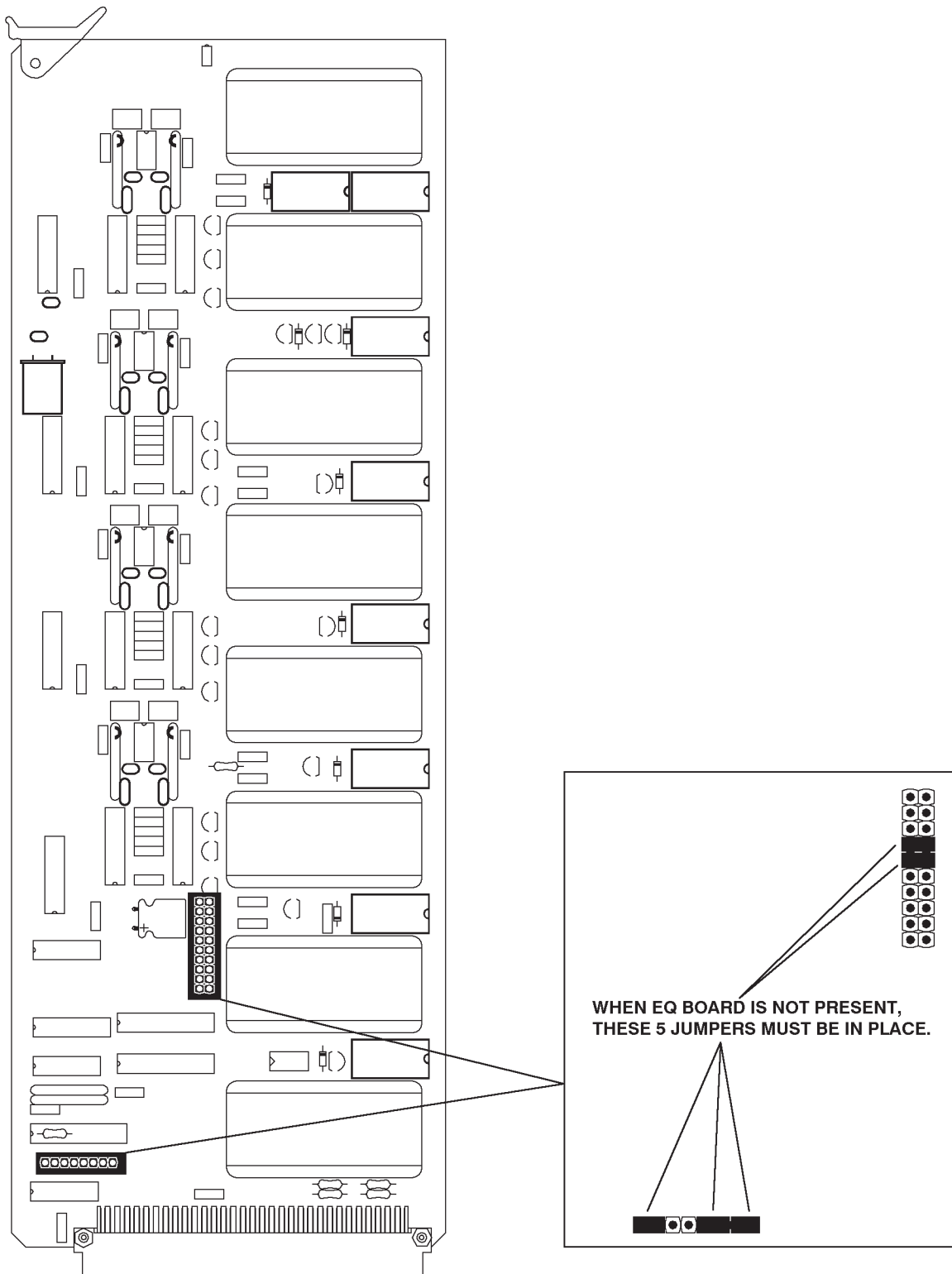


Figure 2 - Jumper placement

*Innovative Electronic Designs, Inc. • 9701 Taylorsville Road • Louisville, Kentucky 40299 • USA  
Phone: (502) 267-7436 • Fax: (502) 267-9070 • Internet: <http://www.iedaudio.com>*